

SBC-WP060S2-20x-S331

鍍層厚度:

Blank : 1u"
2 : 15u"
3 : 30u"

P.C.B LAYOUT MOUNTING PATTERN

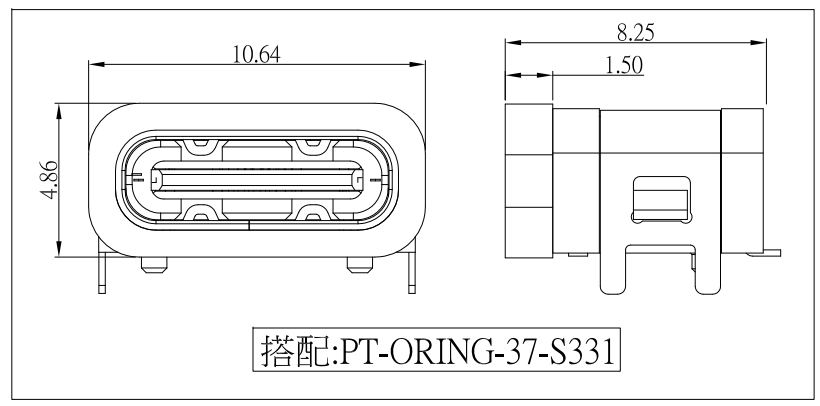
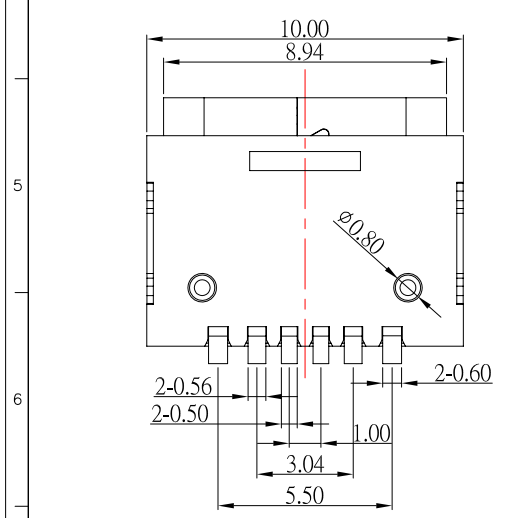
SPECIFICATIONS

- Electrical:**
- Rating: 5.0V , 3.0A
  - Contact Resistance: 40 mΩ Max
  - Insulation Resistance: 100 MΩ Min
  - Dielectric Withstanding Voltage: 100V AC

- Mechanical:**
- Connector Mate and Unmate Force
    - Mate force: 5~20 N
    - Unmate force: 8~20 N

- Material:**
- Housing: LCP
  - Contact: C7025
  - Shell: SUS

- Finish:**
- Contact: Plated Gold in Mating Area ;  
Tin Plated on Solder Balls ;  
Nickel under plated overall
  - Shell: Nickel under Plated surface layer



ITEM NO.	DESCRIPTION	DRAWN	DATE
3	更新圖面	Jack	082123
2	更新圖面	Jack	021323
1	更新圖面	Jack	063022

**CONTACT** 建倚科技股份有限公司  
CONTACT TECHNOLOGY CORP.

TOLERANCE UNLESS OTHERWISE STATED:

Up to 5	±0.2
Above 5 ~ 15	±0.3
Above 15 ~ 30	±0.4
Above 30 ~ 50	±0.5
Angle	±0.3°

3RD. ANGEL'S

UNITS: MM

DRAWN BY:	DATE	MAT'L	TITLE	CONNECTOR
Jack Lu	08/21/23			
CHECKED BY:	DATE	FINISH	MODLE	USB C TYPE 2.0 Female 防水型
Jacky Chen	08/21/23			
APPROVED BY:	DATE	SCALE	DWG NO.	SBC-WP060S2-20x-S331
Tony Kao	08/21/23	1 : 1		
		SHEET NO.	PART NO.	SBC-WP060S2-20x-S331
		1 of 1		
			SIZE	A4
			VER	R3